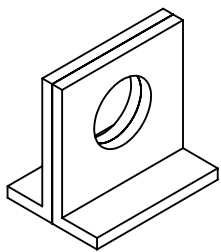
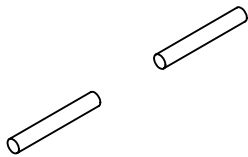


Parts needed to assemble and mount the UCHO-ZM hanger.



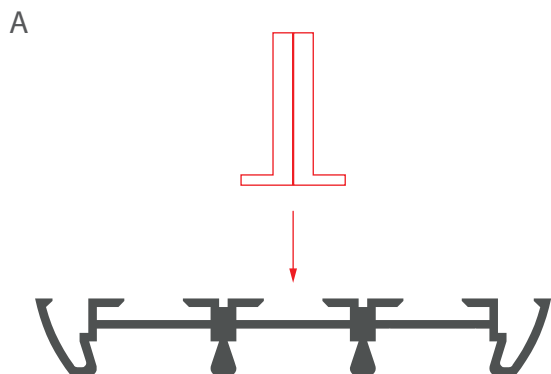
Hanger (A)



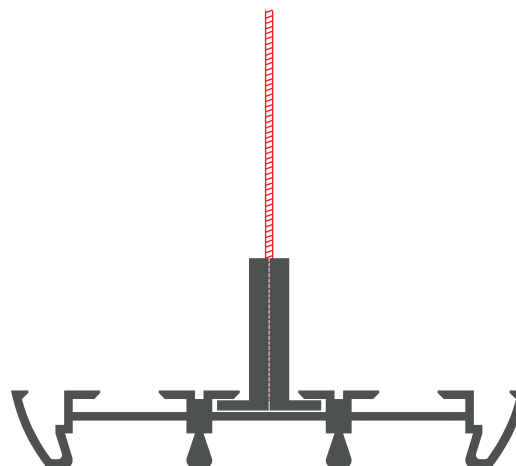
Block(B)

NOTE! A list of products corresponding with the selected accessories is available at www.klusdesign.eu/uk.

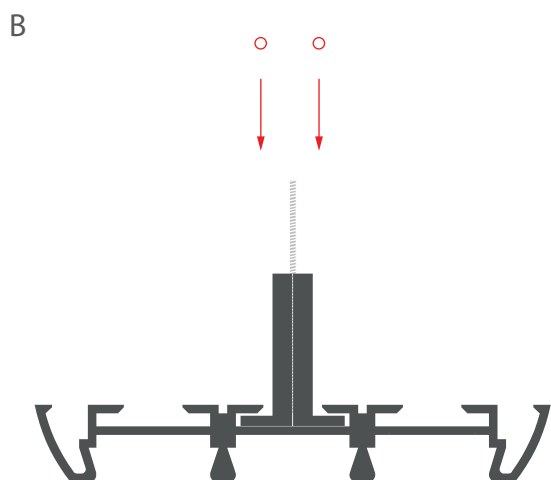
1. Insert the hangers (A) into the channel of the extrusion



2. Attach mounting cables to the hangers.



3. Insert the blocks (B) into the channel of the extrusion, where the hangers (A) are already attached.



4. Mount the ready assembly to the prepared surface.

