















Parts needed to assemble and mount the M11 fastener set

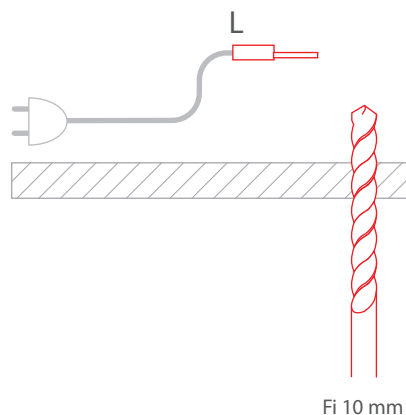
- | | |
|----------------------------|---|
| Top nut (N) |  |
| Locking washer (M) |  |
| Power connector (L) |  |
| Bottom nut (K) |  |
| Metal washer (J) |  |
| Top washer (I) |  |
| Bottom washer (H) |  |
| Hollow rod (G) |  |
| Top head (F) |  |
| Arm (E) |  |
| Bottom head (D) |  |
| Bottom power connector (C) |  |
| Plastic base (B) |  |
| Plastic bolt (A) |  |

Tools needed for mounting:

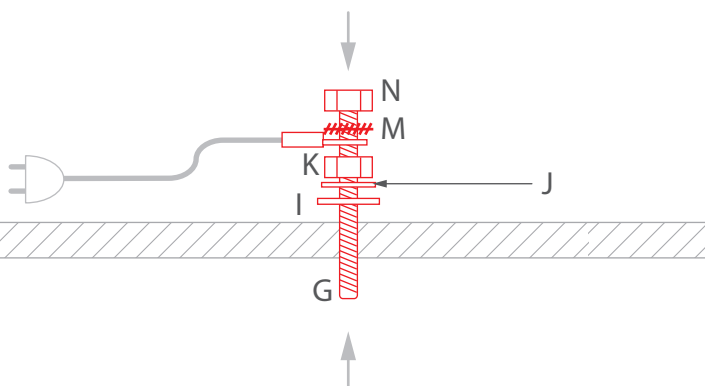
- Allen wrench
- drill
- pliers

NOTE! A list of products corresponding with the selected accessories is available at www.klusdesign.eu/uk.

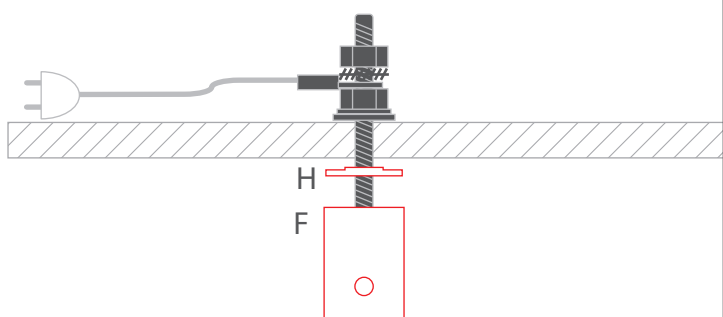
1. Drill a hole with a diameter of 10 mm in the mounting surface. The hole must be next to the cable with a single pole. Connect the end of the cable to the power connector (L).



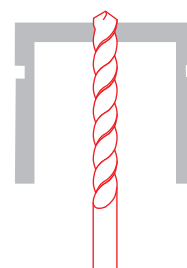
2. Insert the hollow rod (G) into the drilled hole. From the inside, put on in sequence: top washer (I), metal washer (J), bottom nut (K), power connector, locking washer (M) and top nut (N).



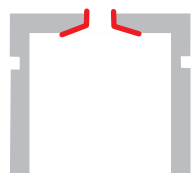
3. Put the bottom washer (H) and top head (F) on the bottom part of the hollow rod.



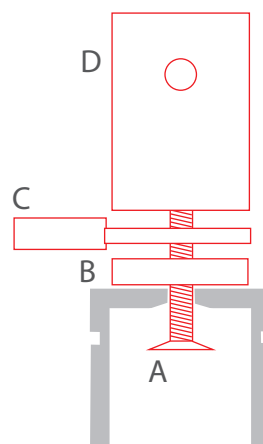
4. Drill a hole with a diameter of 5 mm in the selected extrusion.



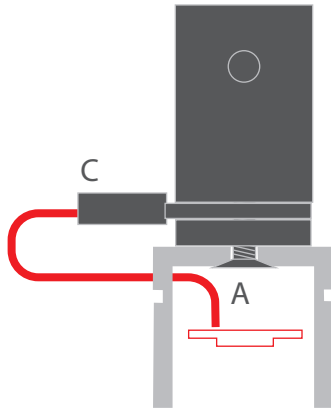
5. Bevel the hole so that the plastic bolt head fits in.



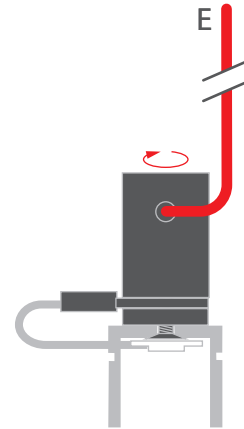
6. Mount the plastic bolt (A), on the top put the plastic base (B), small power connector (C) and bottom head (D).



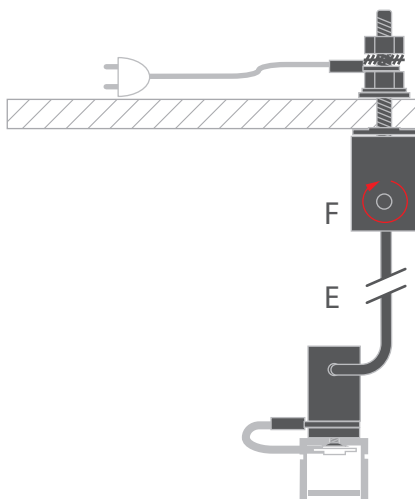
7. Attach the cable from the LED strip to the small power connector (C).



8. Insert the arm (E) into the mounting bracket of the head. It must press the power cable. Block the arm by tightening the pressure screw in the head with the Allen wrench.



9. Attach the light fixture with the arm (E) to the top head (F). Block the rod by tightening the pressure screw in the top head with the Allen wrench.



10. NOTE! The position of the lighting fixture on the arm can be adjusted in the range of 360° (depending on the distance of the fastener from the edge of the extrusion).

