

PRODUCT DESCRIPTION

The mounting bracket is designed for embedding the MICRO-ALU extrusion in finished architectural niches. The extrusion is snapped into the mounting bracket, in a plane perpendicular to the surface. The mounting bracket has a round base that can be mounted to the surface using screws or glue that matches the mounting surface.

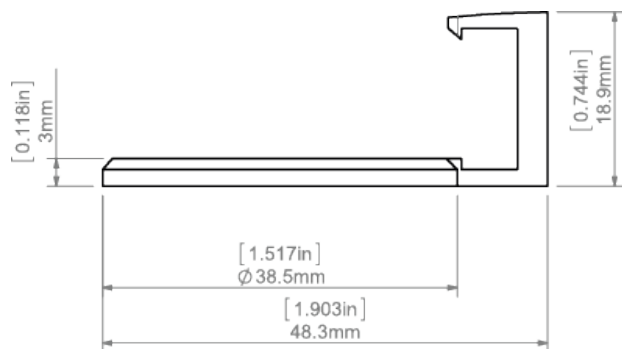
Fill empty fields

Product nr.	
Fixture type	
Company	
Job name	
Date	

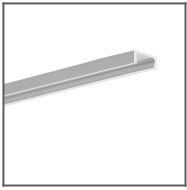


TECHNICAL SPECIFICATION

TECHNICAL DRAWING



RELATED PROFILES



MICRO-ALU Profile
Ref: B1888

RELATED PRODUCTS

MARKETING MATERIALS



Display
P230-90083M
Ref: 90083M