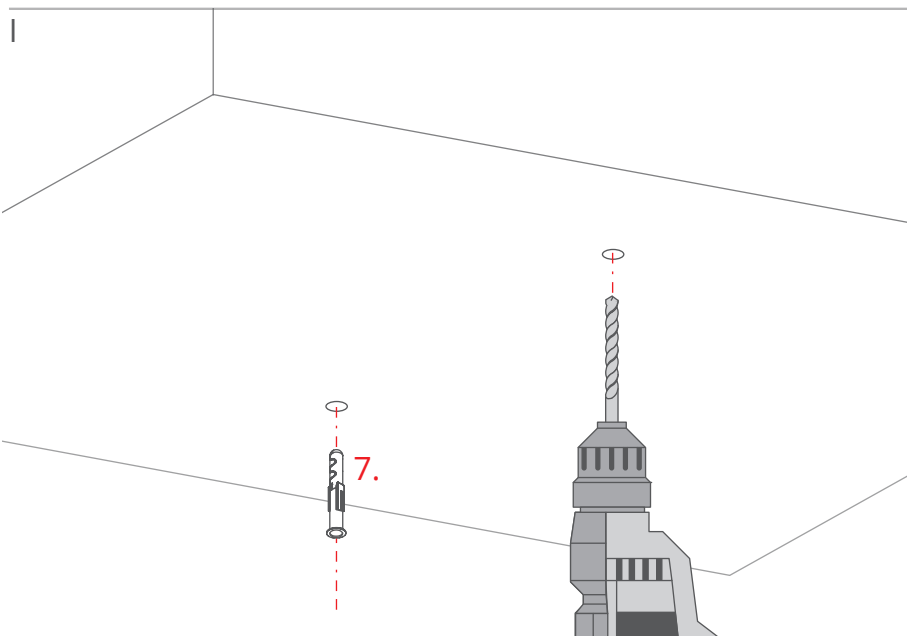


- 1. Lighting fixture with a wire holder
  - 2. Crimp sleeve
  - 3. Steel wire
  - 4. Wire sliding block
  - 5. Ceiling bracket
  - 6. Screw\*
  - 7. Wall anchor\*
- } RG-1 set silver (ref. 42647), black (ref. 42648)

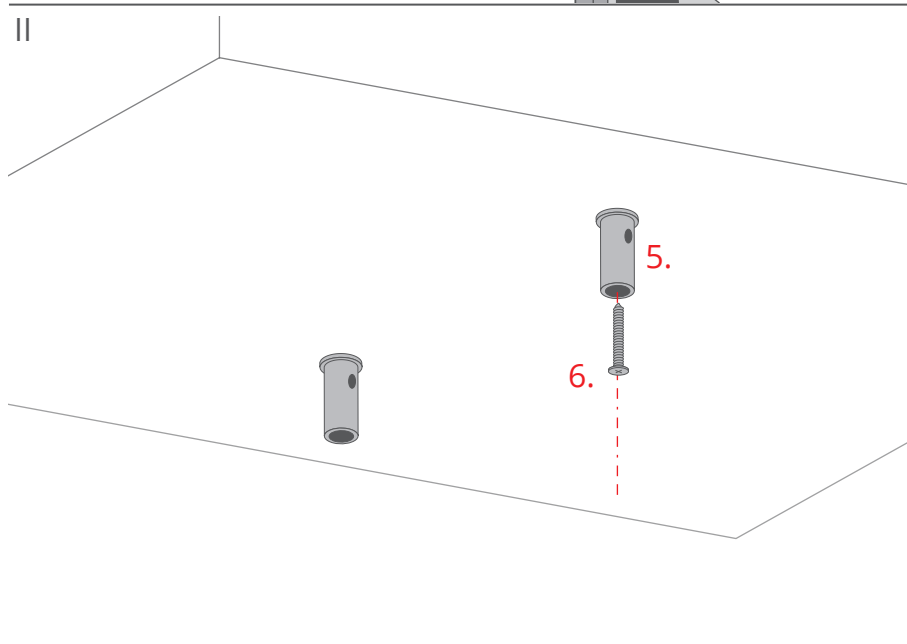
\*Screws and wall anchors are not included in the RD-1 set. Commonly available screws for a given type of surface should be used (wall, drywall, wood, sheet metal, etc.).

**NOTE!** All LED tapes must be connected to a 12 V or 24 V power supply.

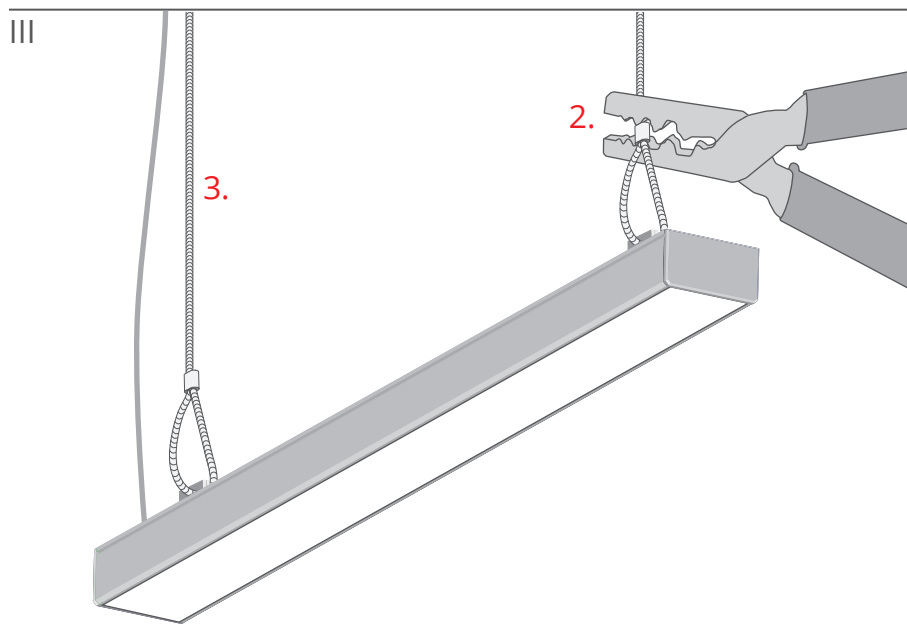
**IMPORTANT:** Not all possible mounting procedures are presented here. More mounting procedures and related accessories can be found at [www.KlusDesign.eu](http://www.KlusDesign.eu). Drawings of extrusions and accessories in these instructions are simplified and only approximate the actual shapes.



Prepare holes in the ceiling using appropriate wall anchors (7).



Screw the ceiling brackets (5) with appropriate bolts (6).



Attach the wires (3) to the hangers of the lighting fixture and secure them with crimp sleeves (2).

