

PRODUCT DESCRIPTION

Standard conductive fastener for light-weight fixtures. The extrusion is inserted into the MOUNTING BRACKET for the 45 - ALU profile. Power is supplied through a hole inside the fastener which is equipped with a longitudinal hole for the FI-3 ROD, which acts as a power conductor

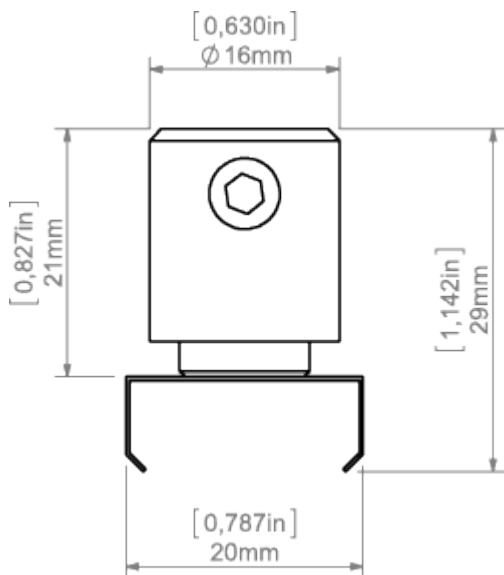
Fill empty fields

Product nr.	
Fixture type	
Company	
Job name	
Date	

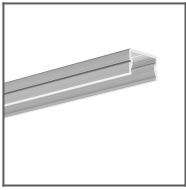


TECHNICAL SPECIFICATION

TECHNICAL DRAWING



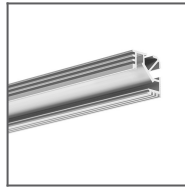
RELATED PROFILES



SILER Profile
Ref: B9325



45-ALU Profile
Ref: B4023



TAN-C5 Profile
Ref: B5391

RELATED PRODUCTS

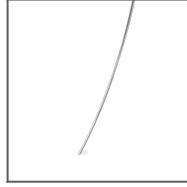
ACCESSORIES



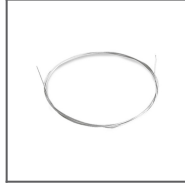
100 PUSZ brass
chrome Rod 1 m
Ref: 42518



Brass chrome FI-3
Rod 1m
Ref: 42501



Steel FI-3 Rod 53
cm
Ref: 1528



Steel wire FI-1 1m
Ref: 1397