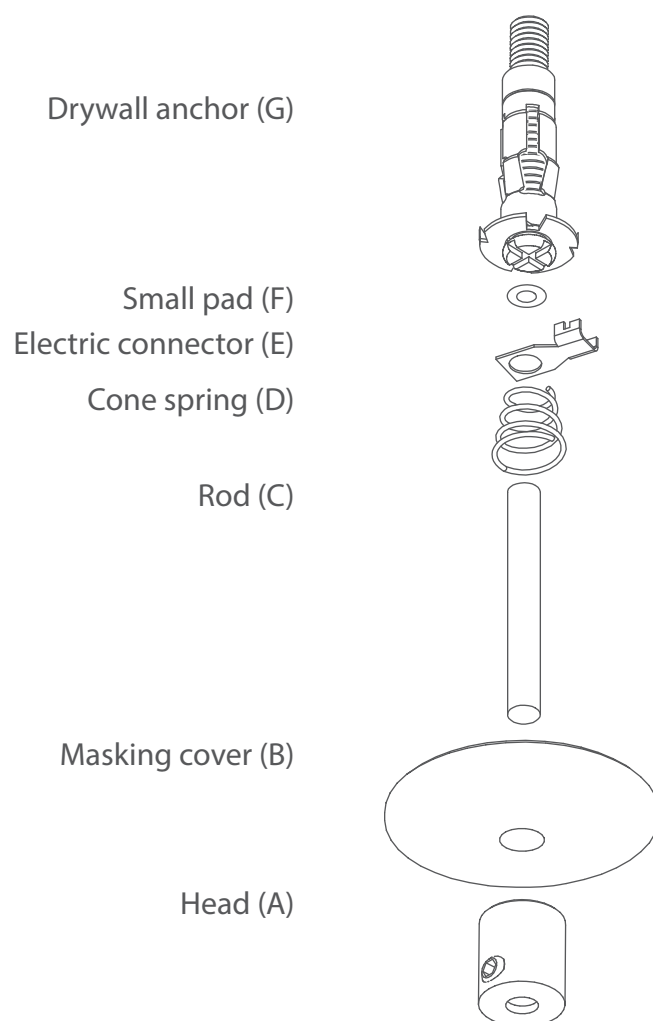


**Parts needed for assembly and use of the W-KG-49-Z fastener:**

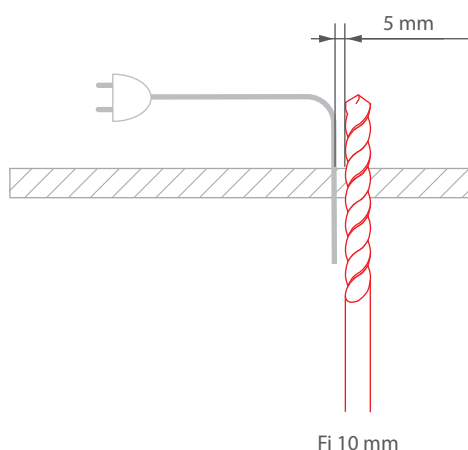


**Tools needed when mounting:**

- allen wrench
- drill
- hollow wall anchor setting tool

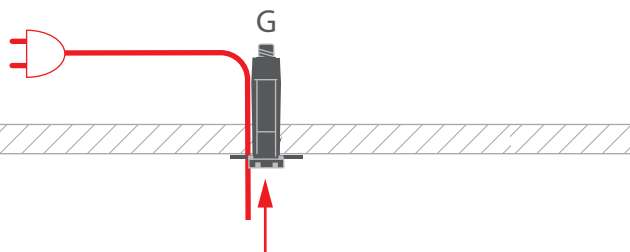
**NOTE!** A list of products corresponding with the selected accessories is available at [www.klusdesign.eu](http://www.klusdesign.eu)

**1.** Drill a hole in a drywall 10 mm in diameter. The hole must be located within 5 mm of the power wire.



**2.** Insert the anchor (G) into the hole. The wire needs to be placed in one of the indentations on the anchor's collar.

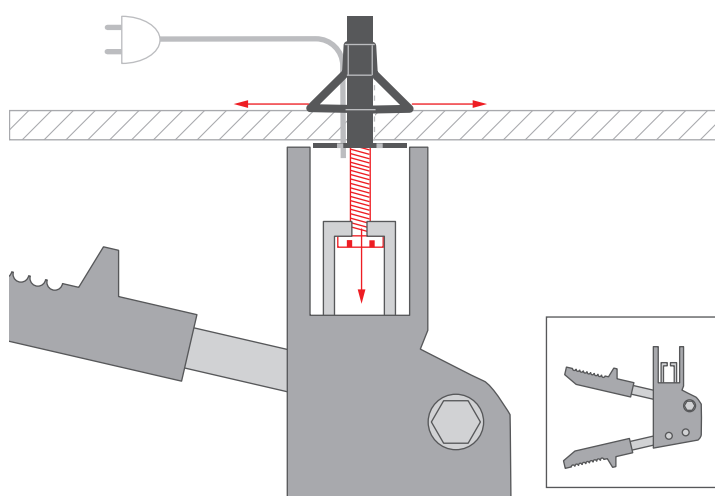
cross-section view



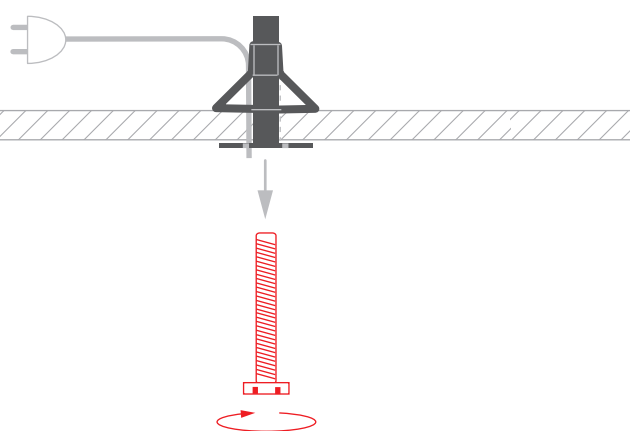
top view



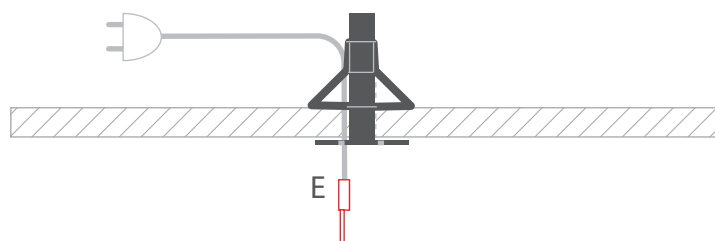
**3.** Pull the screw with dedicated hollow wall anchor setting tool to expand the anchor and secure it in the drywall.



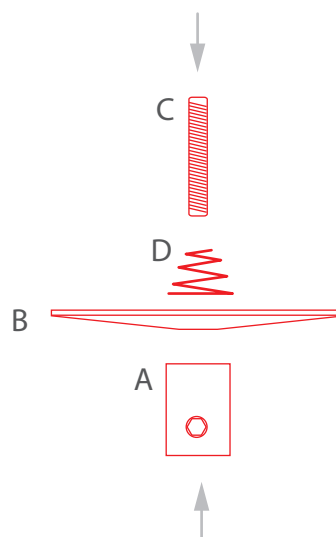
**4.** Remove the screw from the anchor.



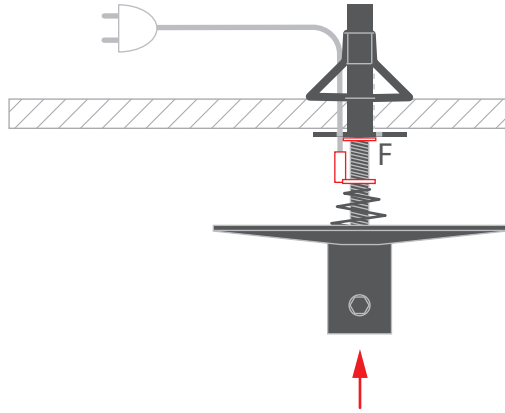
**5.** Connect the electric connector to the outgoing wire (E).



**6.** Assembly together – rod (C), cone spring (D), masking cover (B), and head (A).



**7.** Bend the current connector (E) so that the threaded rod (C) will go through it the fastener into the anchor. Insert the small pad (F).



**8.** Mount the rod from the fixture into the head. Block the rod by tightening the allen screw with the allen key.

