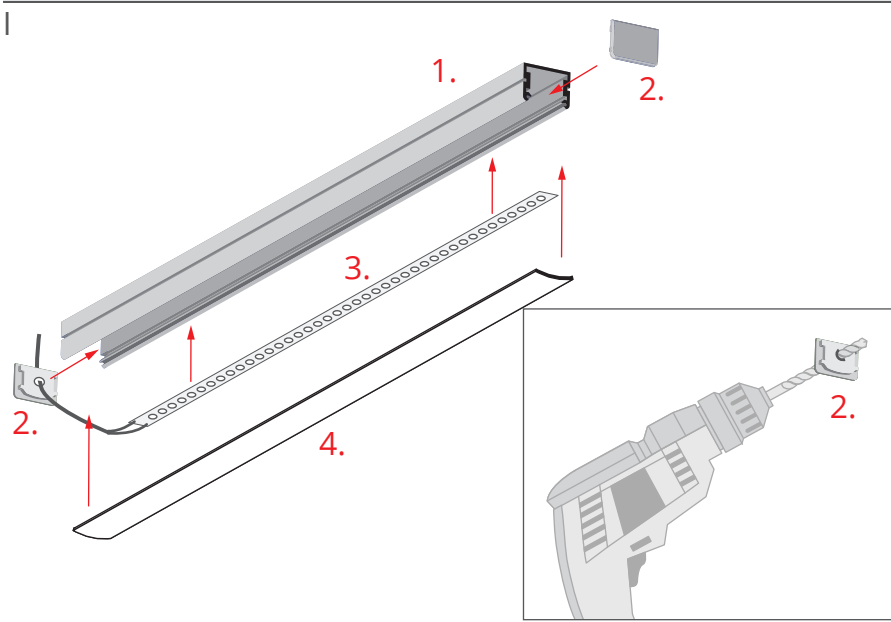


1. TAPO extrusion (Ref. C1919)
2. End cap*
3. LED tape*
4. Cover*
5. Mounting bracket*
6. Countersunk head screw (6-8 mm / 0.24-0.31")
7. Power supply 12 V or 24 V*

*The full range of accessories and electronics is available at www.KlusDesign.eu

NOTE! All LED tapes must be connected to a 12 V or 24 V power supply.

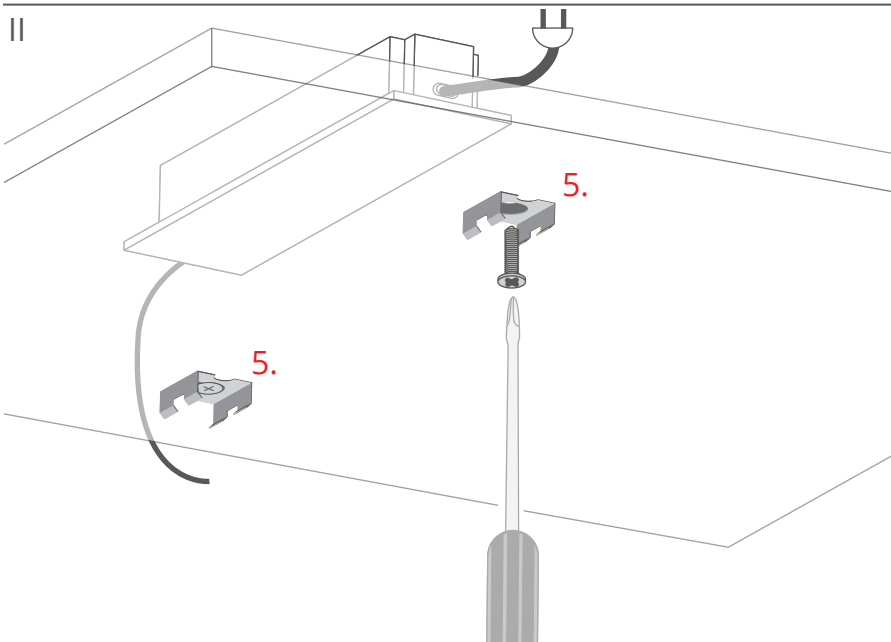
IMPORTANT: Not all possible mounting procedures are presented here. More mounting procedures and related accessories can be found at www.KlusDesign.eu. Drawings of extrusions and accessories in these instructions are simplified and only approximate the actual shapes.



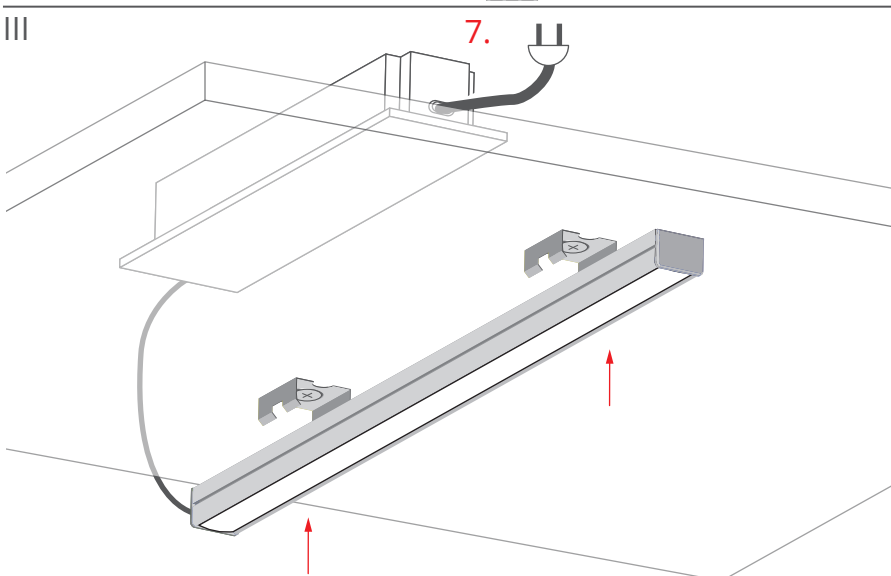
Adhere the LED tape (3) into the TAPO extrusion (1).

Drill a hole for the power cable in the end cap (2).

Mount the cover (4) and the end caps (2). Route the power cable from the LED tape through the hole drilled in the end cap.



Screw the mounting brackets (5) to the surface.



Connect the LED tape cable to the power supply (7).

Connect power and snap the lighting fixture into the mounting brackets.