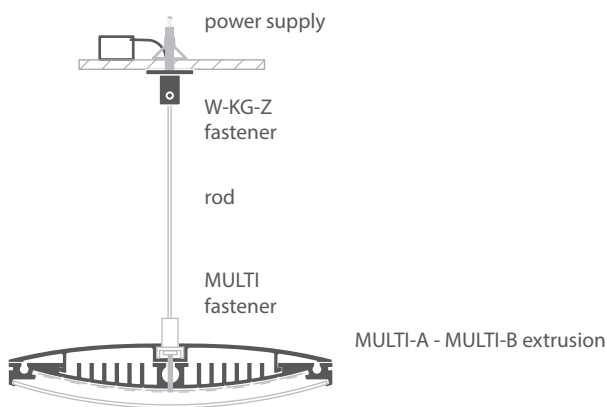
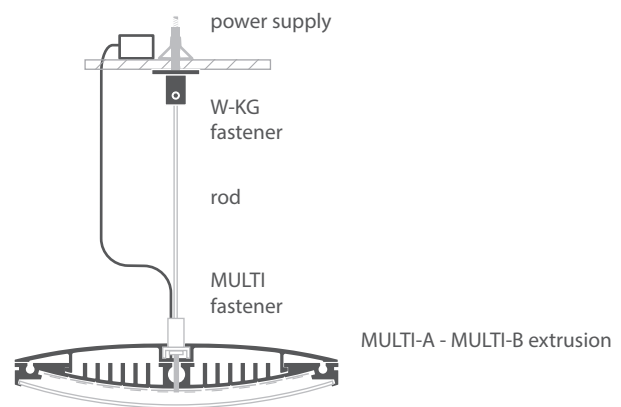


Instruction includes methods of montage:

1) Rod - conductive driven power supply



2) Rod - non-conductive (drop lead)



Tools needed for mounting:

- drill
- pliers
- allen wrench
- soldering iron

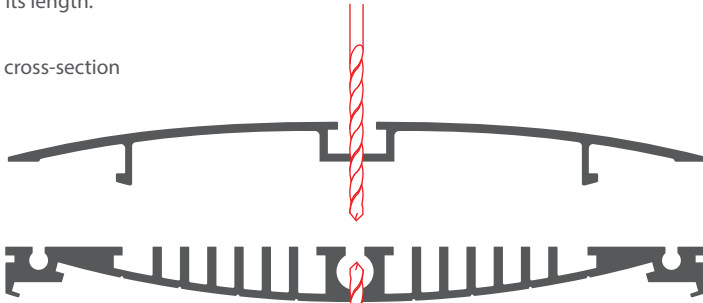
WARNING! All LED strips should be connected to a 12 V or 24 V power supply.

IMPORTANT: The mounting instructions present the basic form of assembly. More methods and related accessories can be found at www.klusdesign.eu

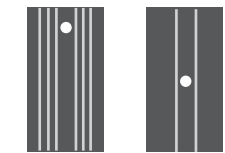
*If fully built fixtures are ordered and received from KLUS please skip to #3

1. Drill 1 hole in the mounting strip and 1 hole in the extrusion to lead the power cable out. The hole in the mounting track should be in the middle of its length.

cross-section

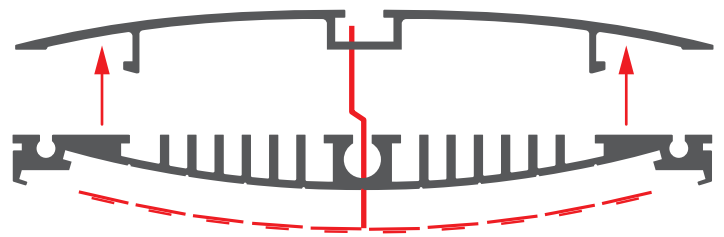


top view

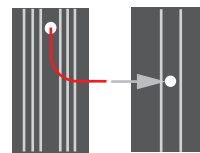


2. Mount the LED strips and feed the power cable into the channel in the middle part of the extrusion and through the hole in the mounting strip. Assemble the extrusion with the mounting strip.

cross-section

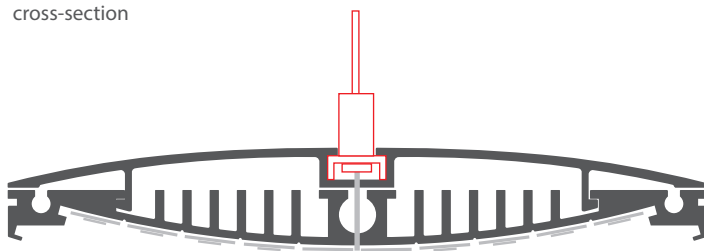


top view

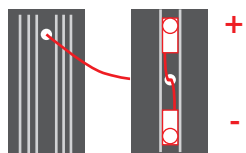


3. Connect the power cables to the fasteners. One pole must be connected to one fastener. Download the fastener manual at www.klusdesign.eu Insert the fastener in the channel in the mounting track and mount the threaded rods, tightening them with the Allen wrench.

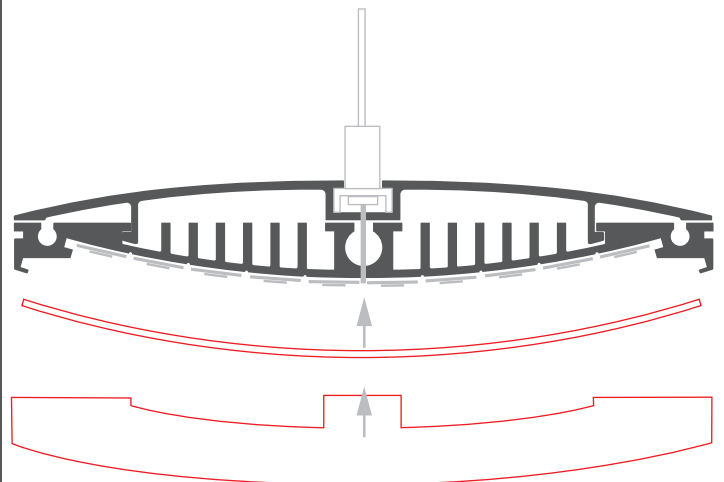
cross-section



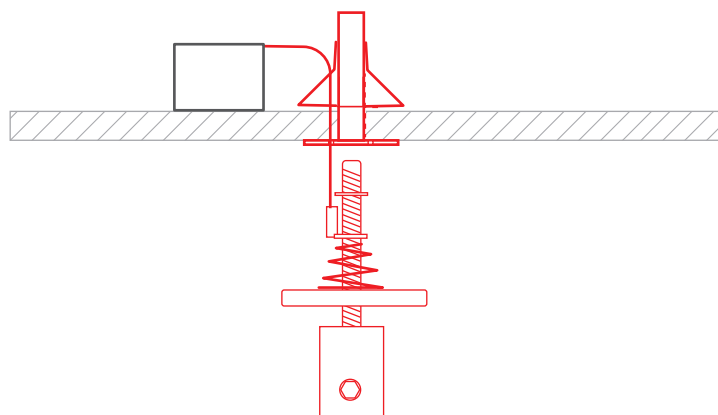
top view



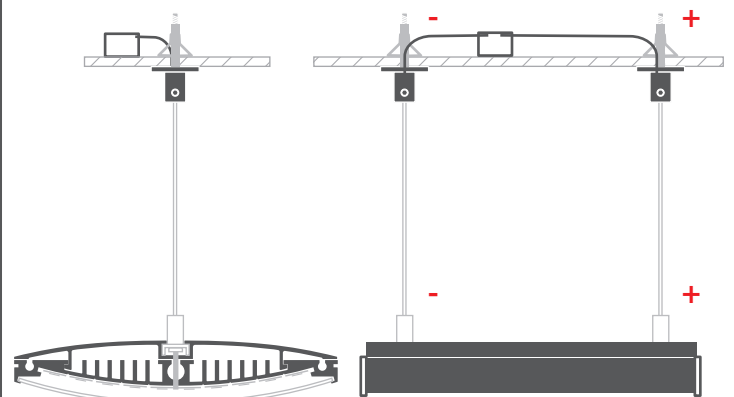
4. Insert the cover and the end caps.



5. Install the W-KG-Z ceiling fasteners. The fastener installation manual can be downloaded at www.klusdesign.eu. Connect the cables, each for the single power pole to the fasteners. The cables should go through a pre-drilled hole just under the masking cover of the fastener.



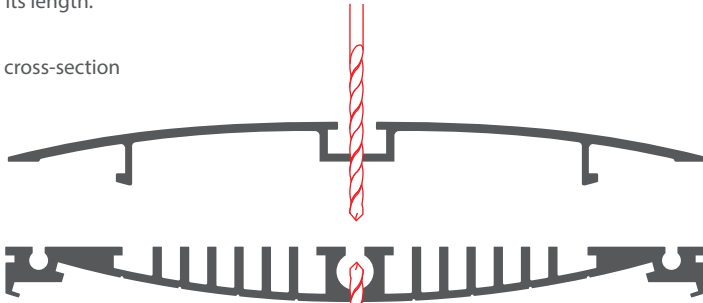
6. Suspend the fixture with the conductive fasteners suitable for the respective surface. Download the conductive [fastener manual](http://klusdesign.com) at klusdesign.com



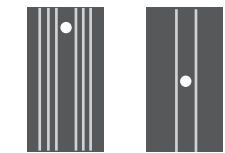
*If fully built fixtures are ordered and received from KLUS please skip to #3

1. Drill 1 hole in the mounting strip and 1 hole in the extrusion to lead the power cable out. The hole in the mounting track should be in the middle of its length.

cross-section

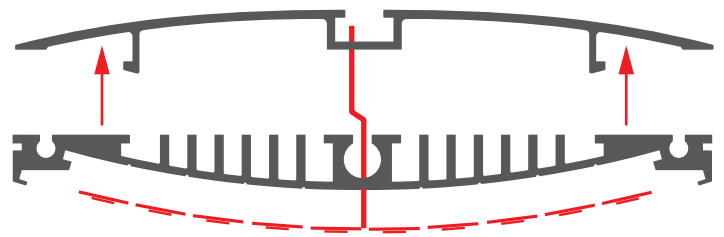


top view

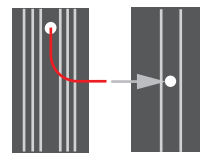


2. Mount the LED strips and feed the power cable into the channel in the middle part of the extrusion and through the hole in the mounting strip. Assemble the extrusion with the mounting strip.

cross-section

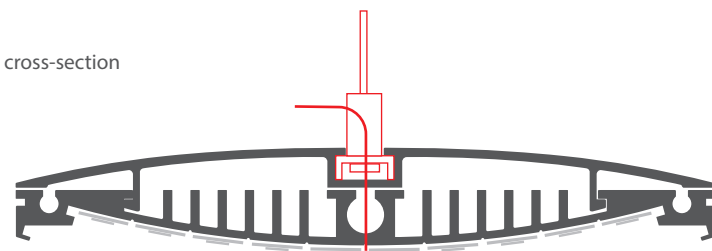


top view

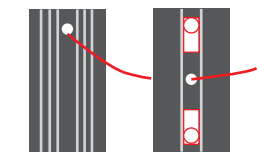


3. Install the fasteners. Download the fastener manual at www.klusdesign.eu. Insert the fastener in the channel in the mounting strip and mount the threaded rods, tightening them with the Allen wrench.

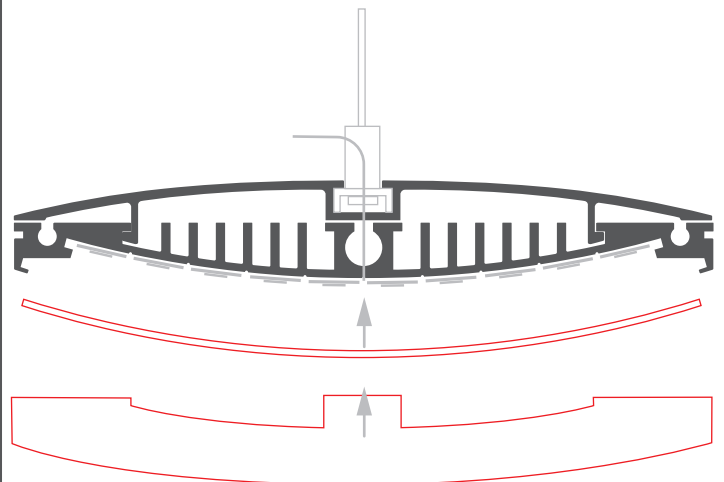
cross-section



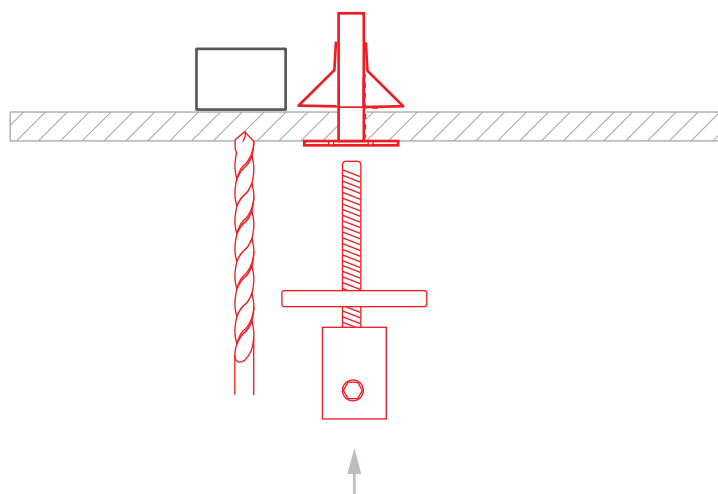
top view



4. Insert the cover and the end caps.



5. Install the W-KG ceiling fasteners. The fastener installation manual can be downloaded at www.klusdesign.eu. Place the power supplier next to the fastener and drill the ceiling to lead the cable to it.



6. Mount the fixture with rods into the ceiling fasteners. Connect the cable to the power supplier, leading it through a pre-drilled hole in the ceiling.

