

Parts needed to mount the KOZMA extrusion



Extrusion (A)



LED strip (B)



Protective insert (C)



Cover (D)



End cap (E)

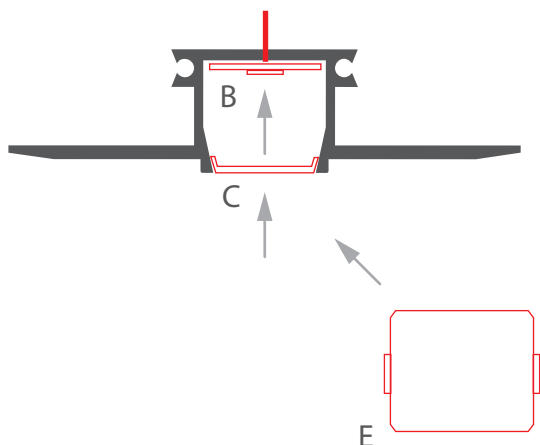
Tools needed for mounting:

- mounting glue

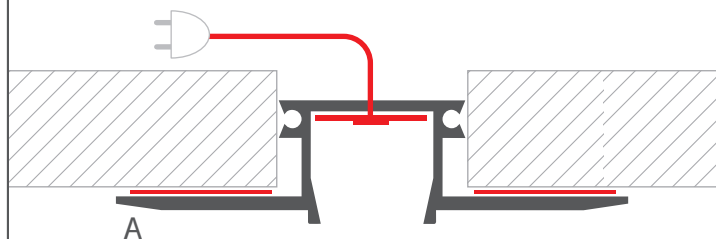
NOTE! All LED strips must be connected to a 12 V or 24 V power supply.

IMPORTANT: The manual presents the simplest mounting procedure.
More mounting procedures and related accessories can be found at klusdesign.eu

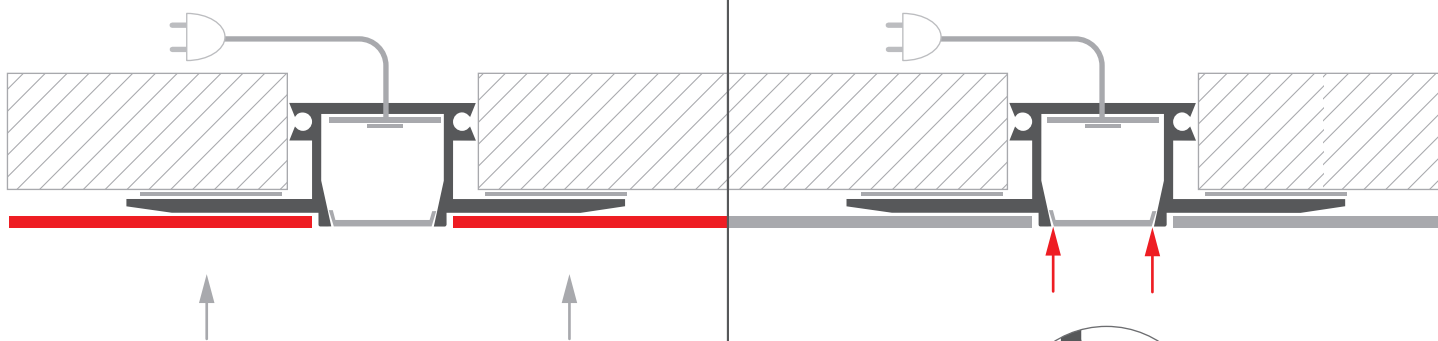
1. Mount the LED strip (B) in the extrusion, lead out the power cable, insert the protective insert (C) and then insert the end caps (E).



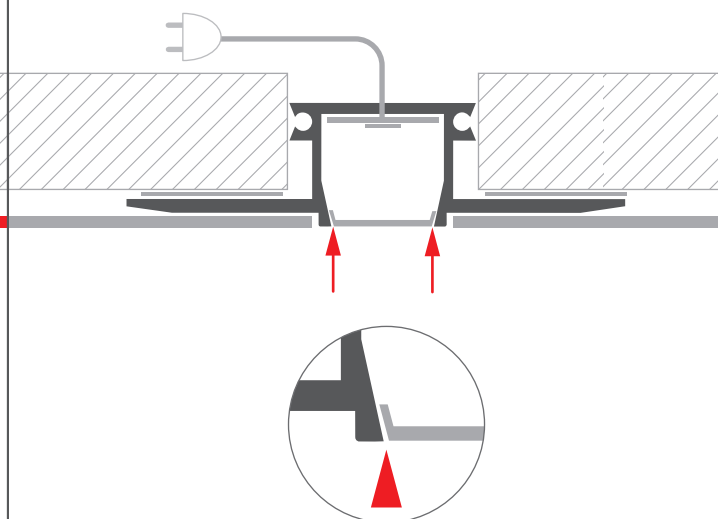
2. Attach the fixture (A) to the ceiling surface and connect the power cable.



3. Apply a layer of plaster to the extrusion and the ceiling and then paint the surface.



4. Slide a sharp tool between the extrusion and the insert (on both sides of the insert) to cut off the layer of plaster and paint from the cover.



5. Remove the protective insert (C) and then insert the proper cover (D).

