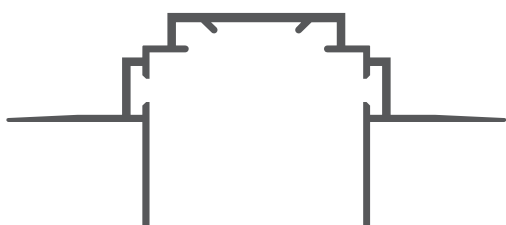


Parts needed to mount the TEKNIK-ZM extrusion



Profile (A)



End cap (B)

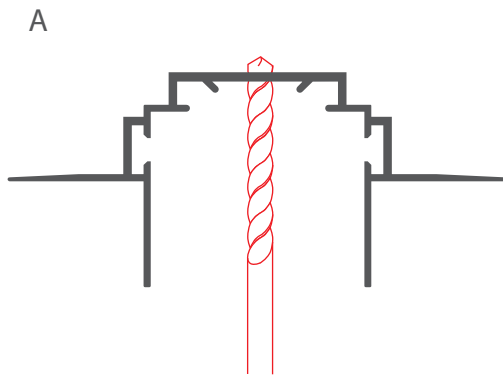
Tools needed for mounting:

- drill
- screwdriver

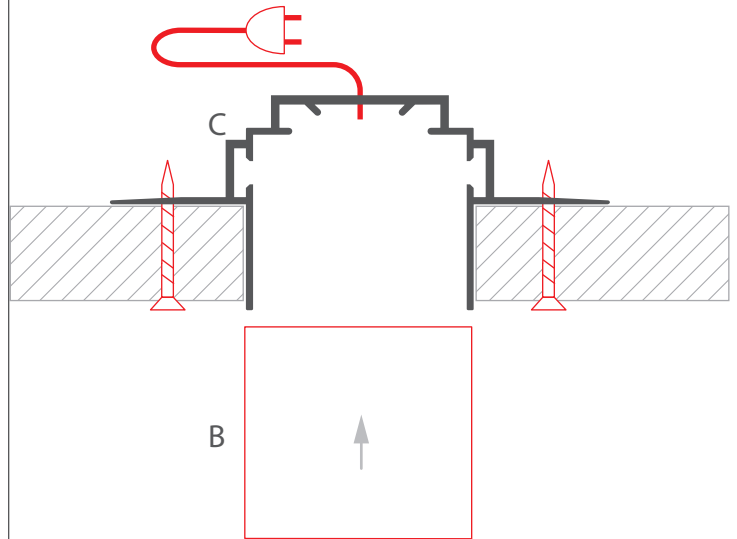
NOTE! All LED strips must be connected to a 12 V or 24 V power supply.

IMPORTANT: The manual presents the simplest mounting procedure.
More mounting procedures and related accessories can be found at www.klusdesign.eu

1. Drill holes in the extrusion (A).



2. Insert the end cap (B) into the extrusion (A), and then mount the extrusion with screws



3. Connect power and insert the LED fixture into the extrusion (A). The number of clips should be: 4 for 1-meter long profiles, 9 for 2-meters long profiles and 14 for 3-meters long profiles. First and last clip should be placed 5-7 cm from the end of the profile.

ATTENTION: Extrusions can be connected with ZM connectors.

